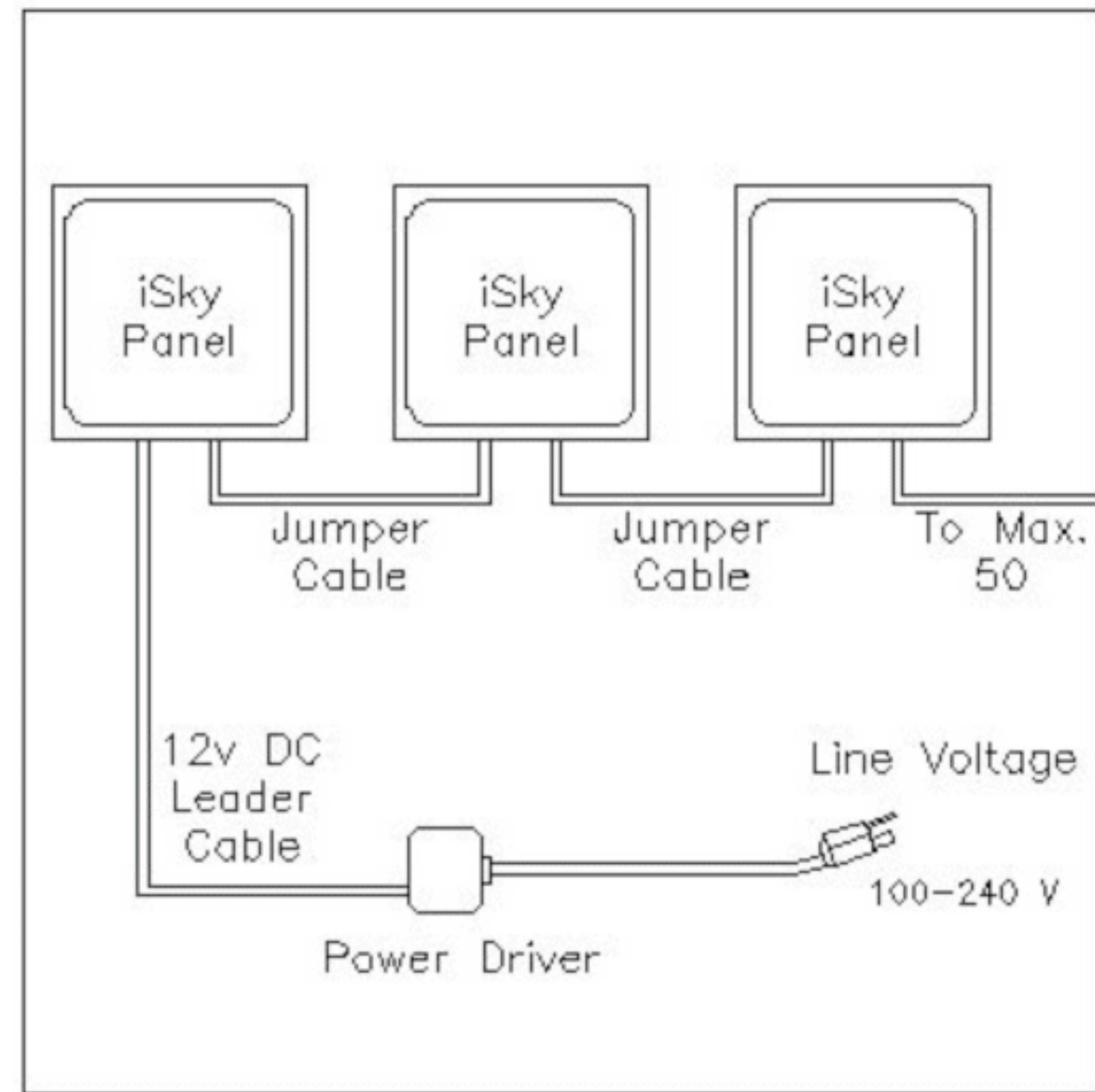
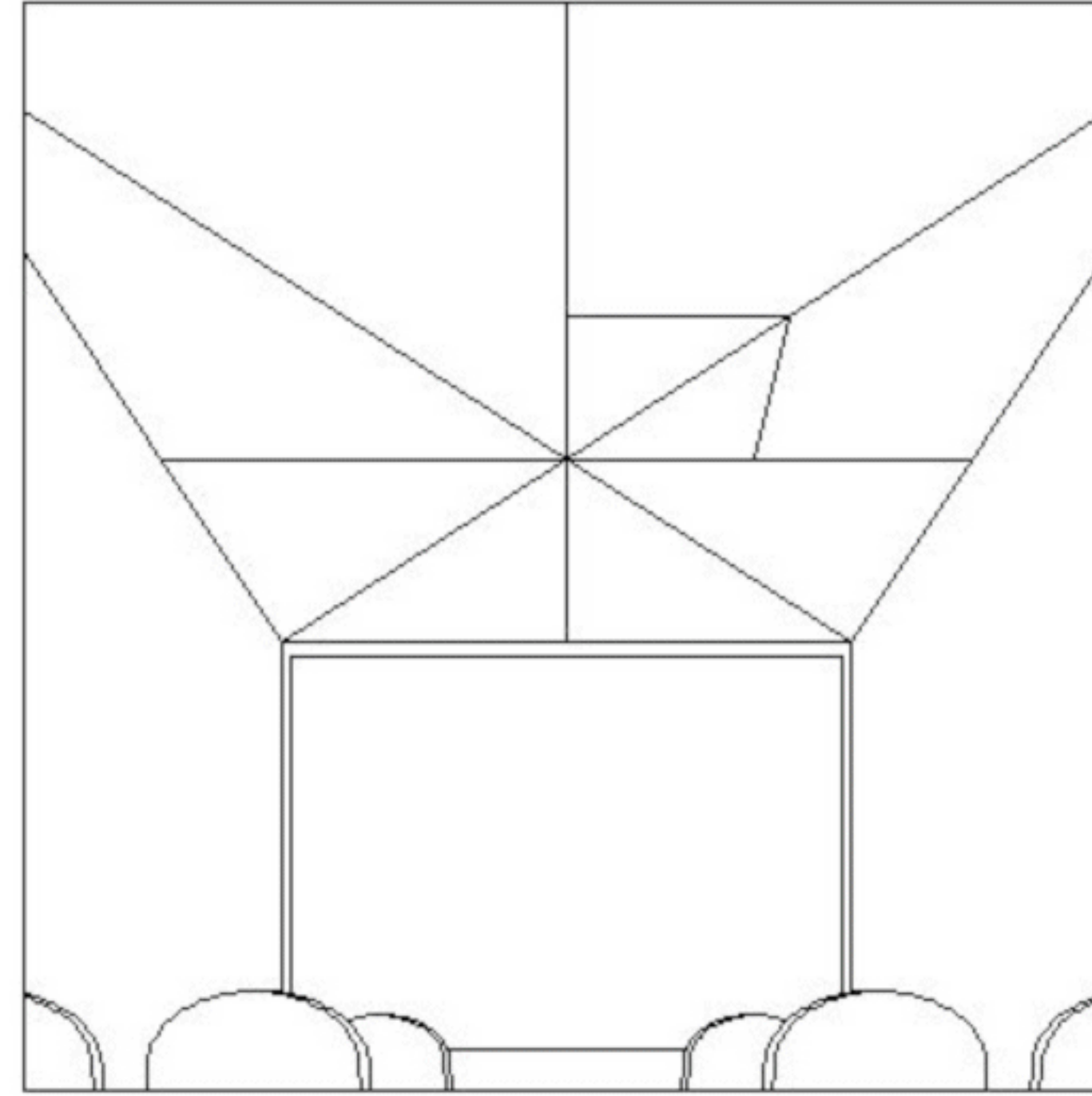


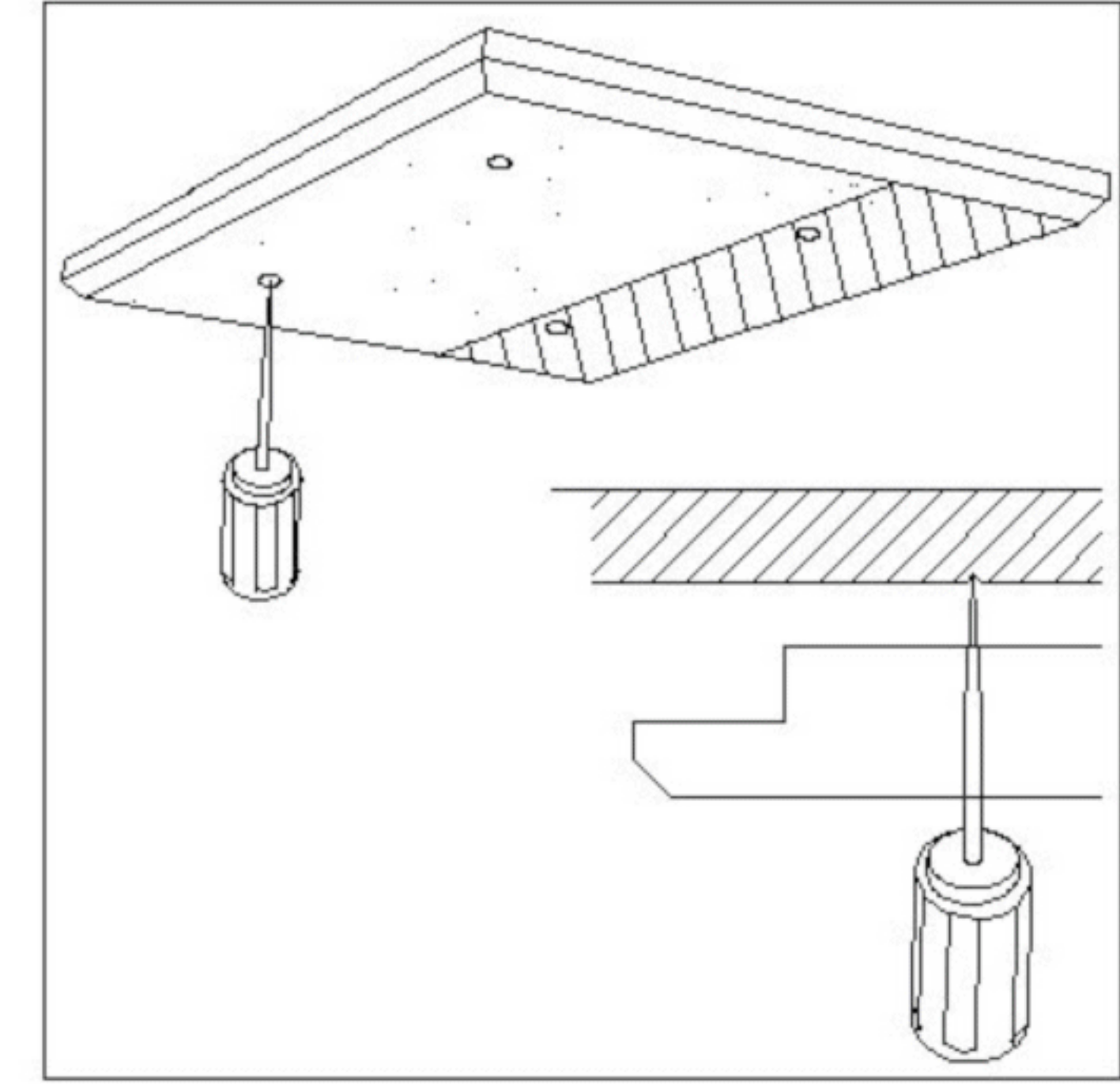
Installation Overview



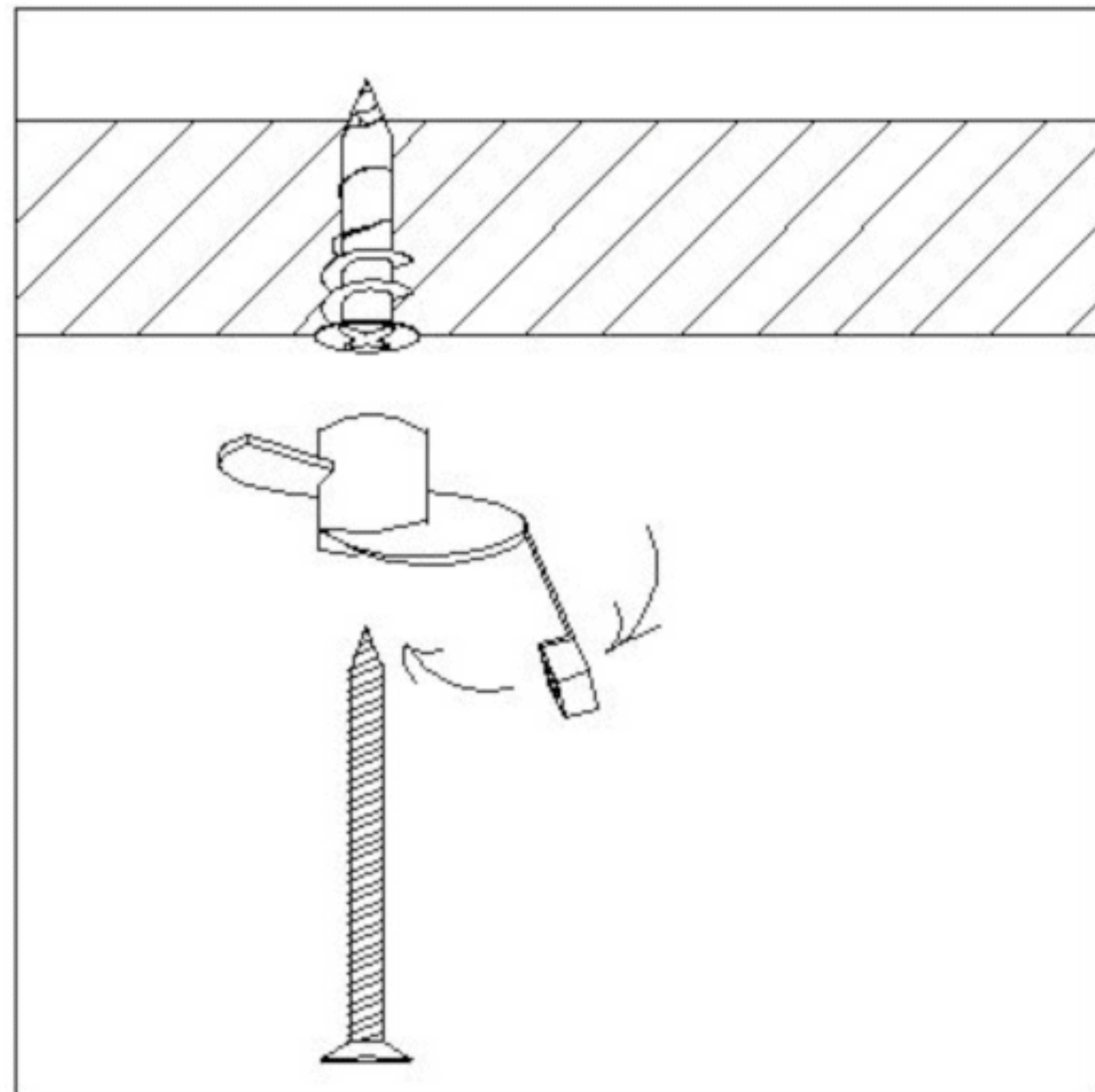
Wiring Overview



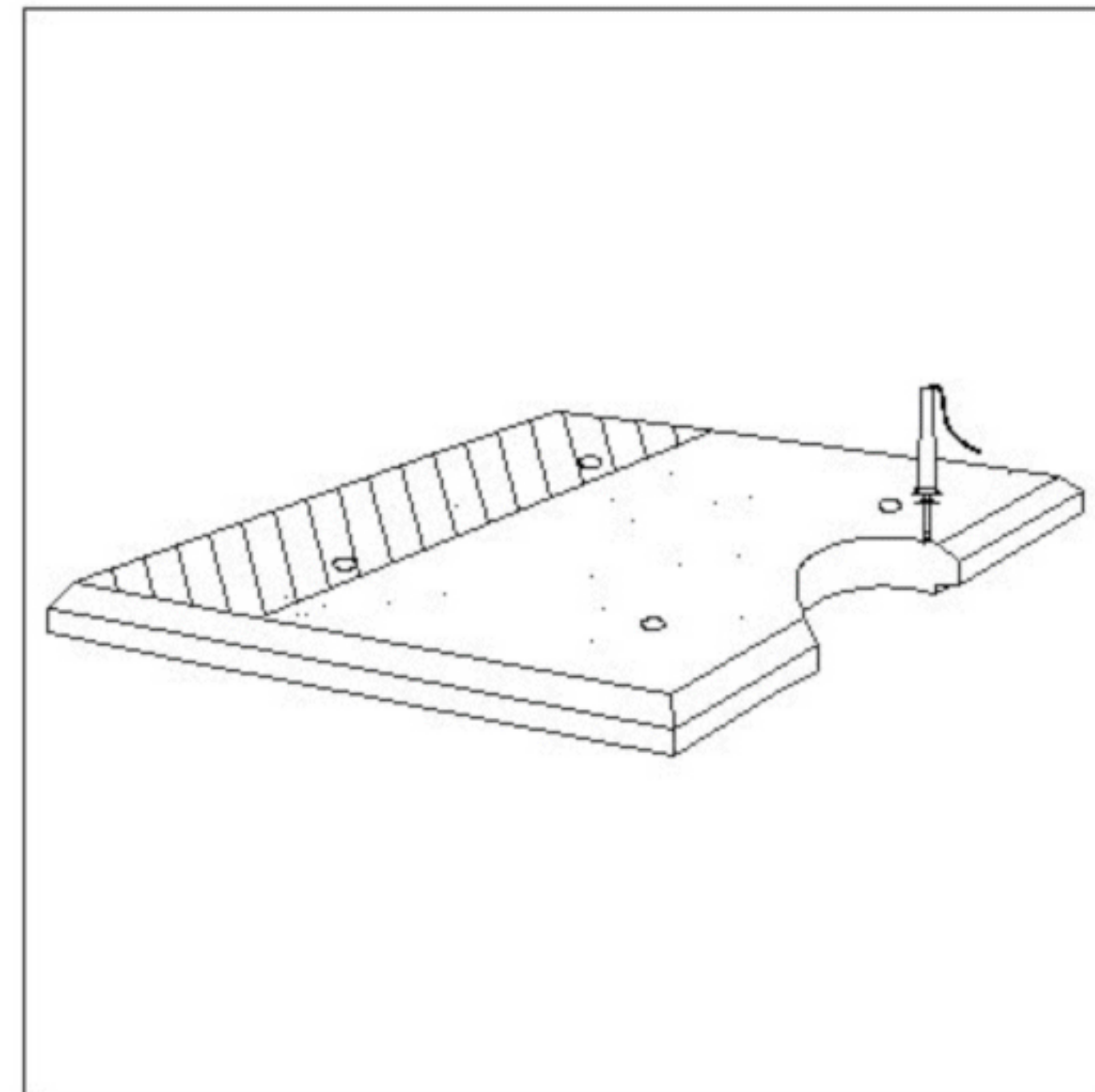
Find Center of Ceiling and Orient First Panel



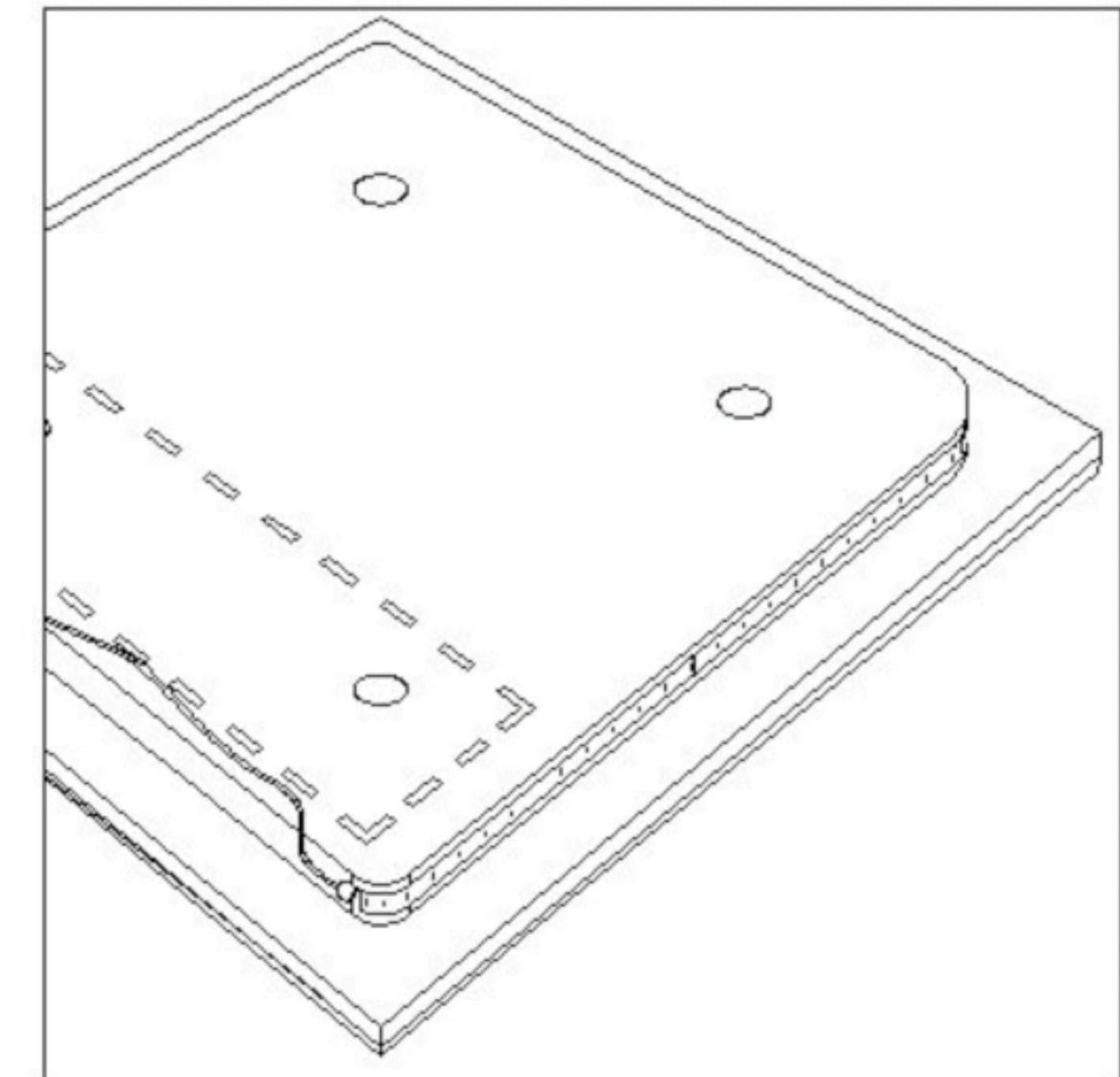
Place and Hold Panel While Marking Ceiling With an Awl



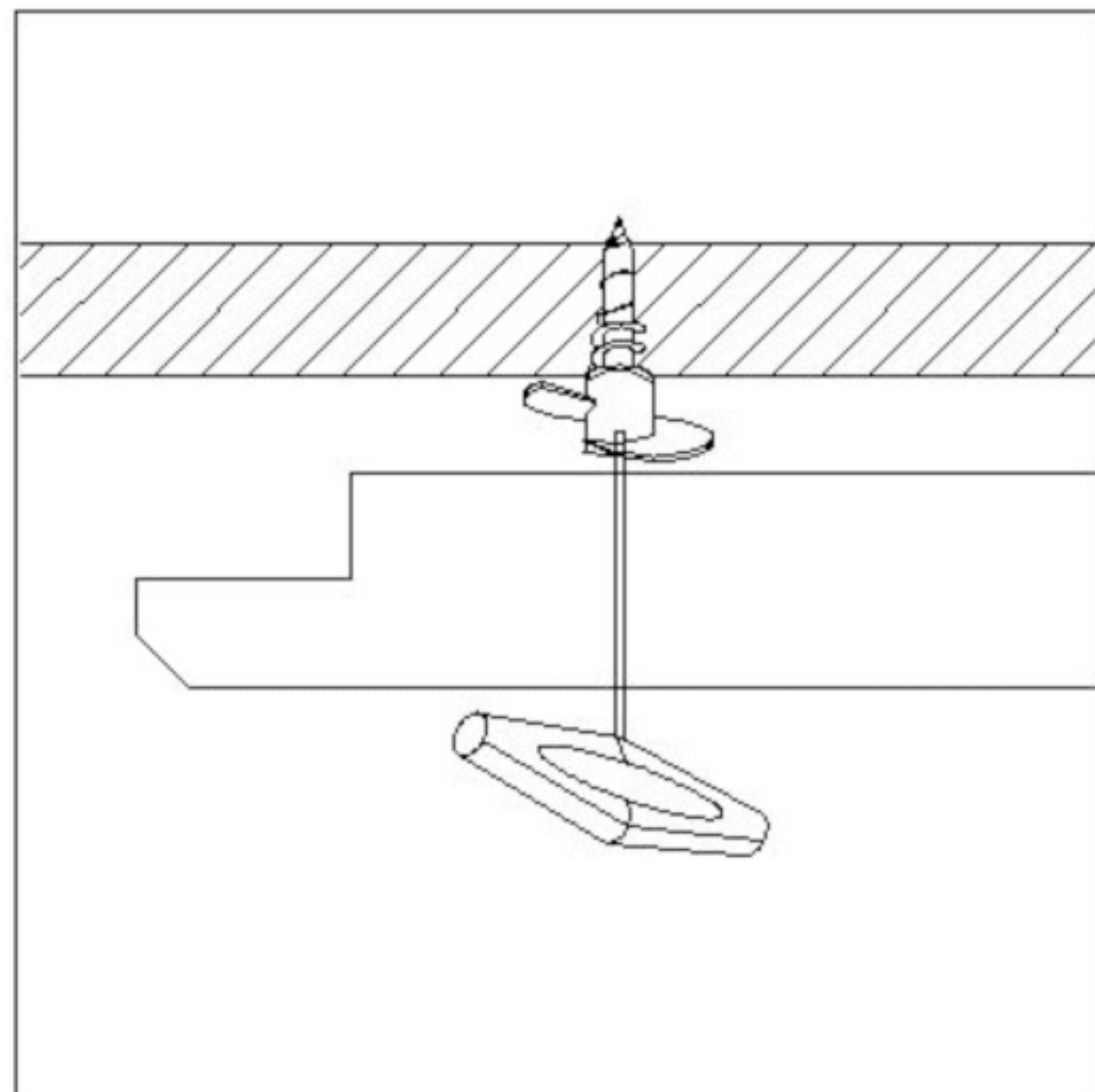
Fasten Surface Anchor
IMPORTANT: Make sure the surface anchor can rotate freely when it is installed on the surface



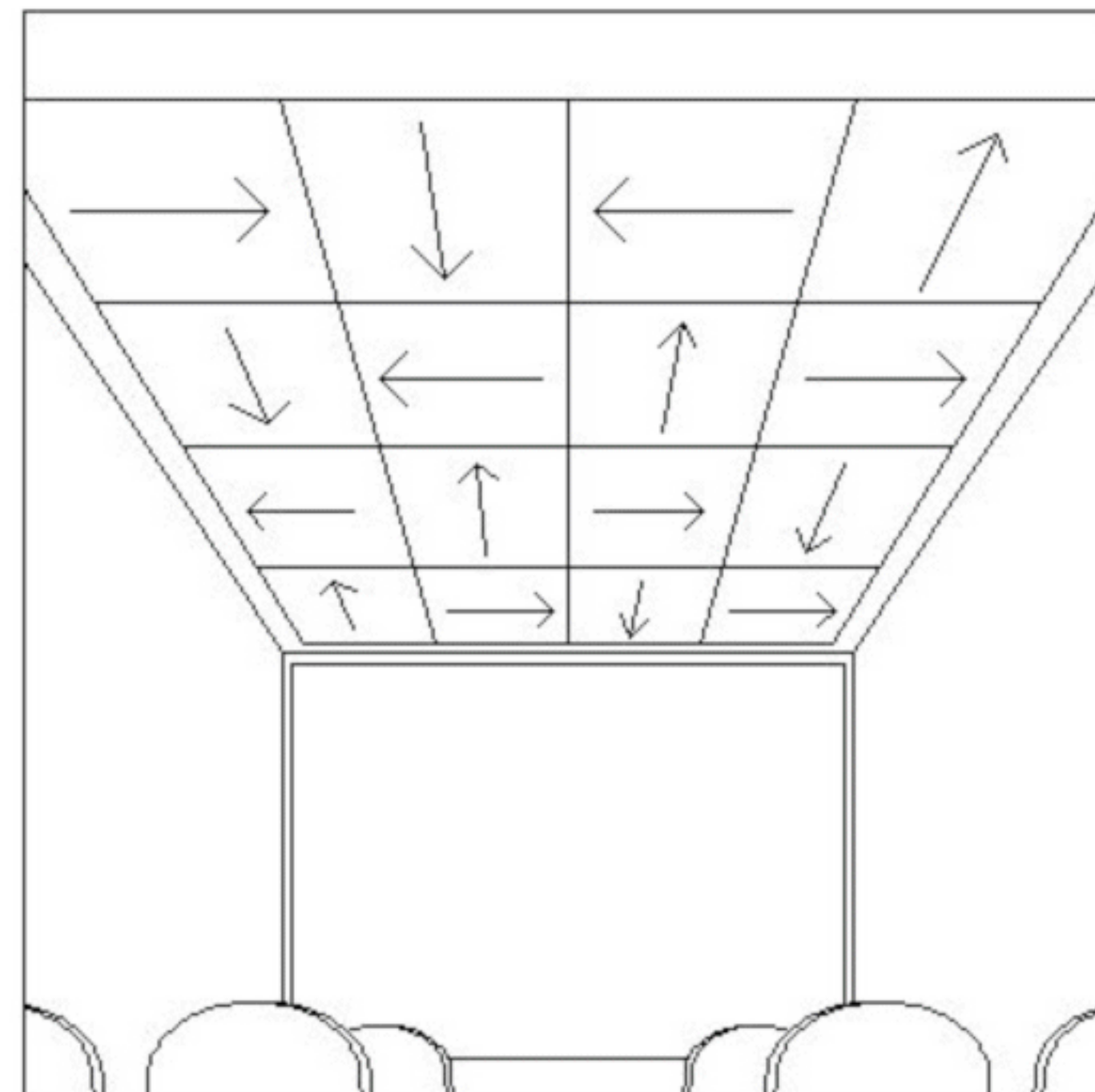
Cut Panel as Required Avoid the No Cut Zone by Rotating Panel



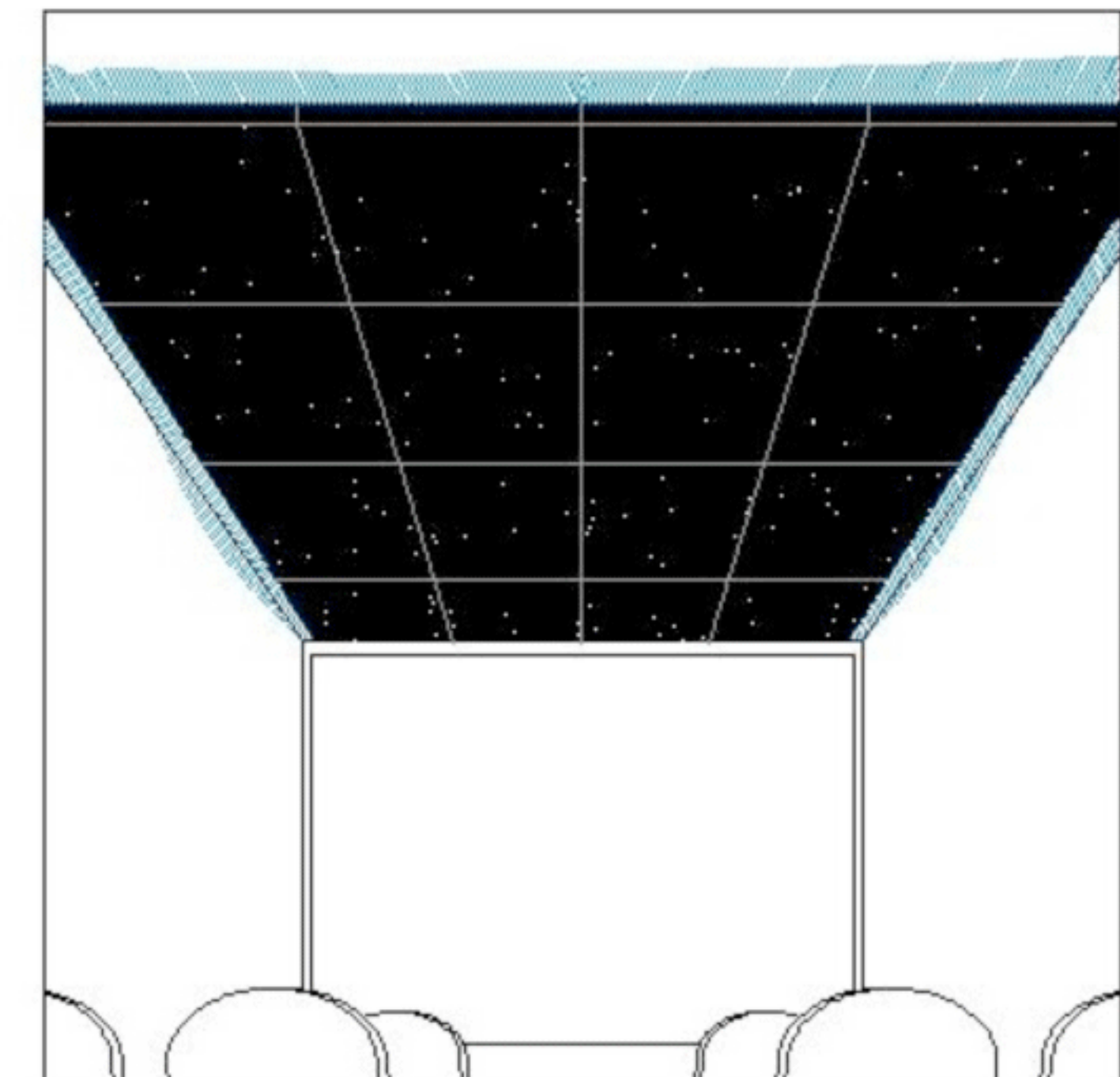
Around the Outside Edge of the Ceiling Area, Add uRay Strips as an Option



Connect Leader From Power Driver and Use Hex Tool to Rotate Surface Anchor



Repeat Steps 3-7, Connect Jumper Cable Between Panels & Rotate for Random Effect



Job Done - Enjoy