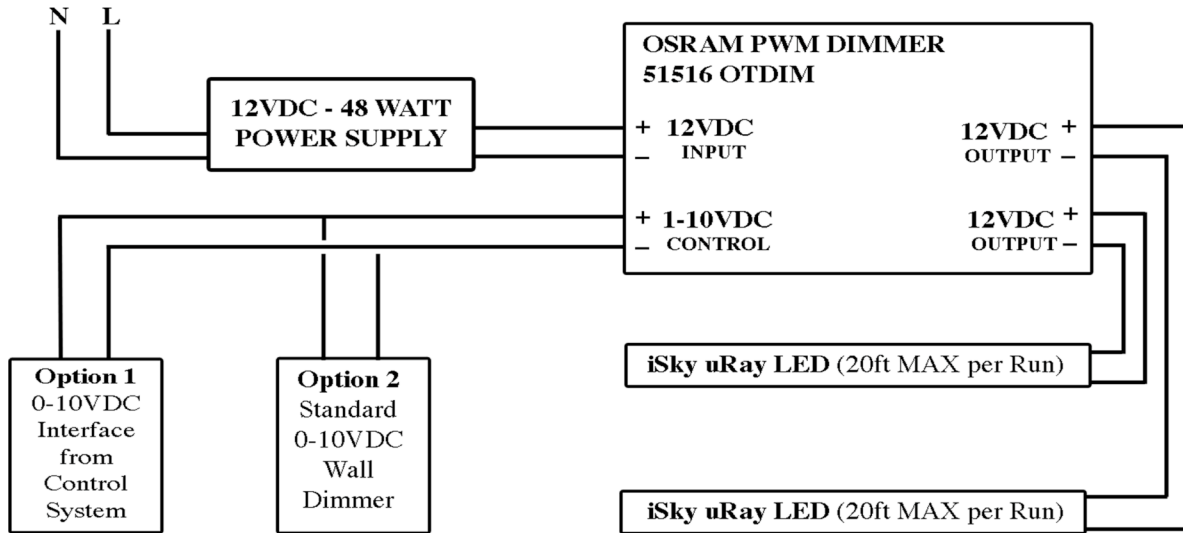


# iSky Application Notes.

## iSky Dimming Info:



### 0-10V Controllers for OSRAM PWM.

**Potentiometer (Generic):**

100 K Ohm linear potentiometer

**Leviton:**

Fluorescent Slide Dimmer (Cat. No. IP710-DL)

**Lutron:**

GRX-TVI Ten-Volt Interface

**Crestron:**

iLux 0-10V Fluorescent Dimmer Expansion Module (CLS-EXP-DIMFLV)

**Vantage:**

Low Voltage Output Station (LVOS)

NOTE: iSky cannot provide specific wiring diagrams, we can only suggest what we believe will integrate with our OSRAM PWM. Please contact the Manufacture of the Control System directly for details.

# **iSky Application Notes.**

## **iSky Power Info:**

### ***Power Specifications:***

***iSky uRay Tape, Warm White:*** 1.76 Amps per 20 foot spool.  
***iSky uRay Tape, Blue:*** 1.83 Amps per 20 foot spool.  
***iSky uRay Tape, RGB (on White)*** 1.25 Amps per 10 foot spool.

***iSky uRay Link, All Colors:*** .06 Amps per 12 inch piece.  
1.20 Amps per 20 foot run.

### ***Maximum Runs per Power Supply:***

#### ***4-Amp:***

***uRay Tape (Static):*** 40 Feet total. 20 Feet MAX per run.  
20 Feet is the MAX per run because of Voltage Drop. If more than 20 feet of uRay tape are needed, run a 2<sup>nd</sup> leader for the other 20 Feet. Multiple leader cables can be run to the power supply if, for example you need 4 uRay runs @ 10 feet. Do not exceed 20 continuous feet and never more than 40 feet of total product per 4-amp/48 Watt power supply.

***uRay Tape RGB (preliminary):*** 20 Feet total. 20 feet total per 4-amp power supply. After 20 continuous feet of RGB tape, an iSky Amplifier Box (part# 6103) and another 4-amp power supply are needed to continue on to the next 10 foot spool.

#### ***3-Amp:***

***uRay Link (Static):*** 50 Feet total. 50 Feet MAX per run.